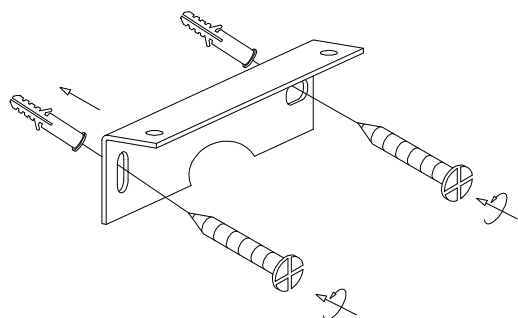


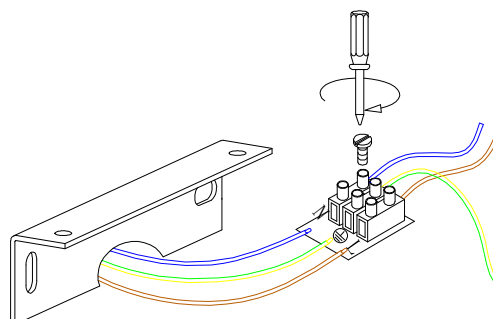
OPTONICA

USER MANUAL

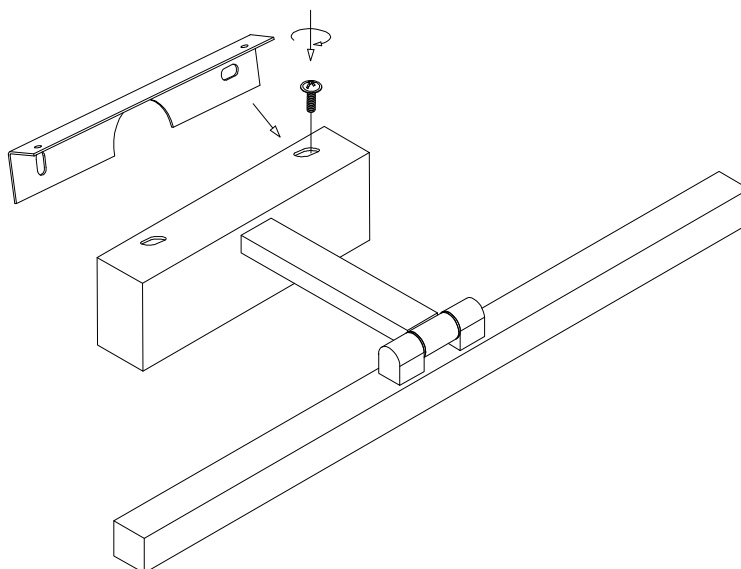
SKU: 7551, 7552, 7553, 7554



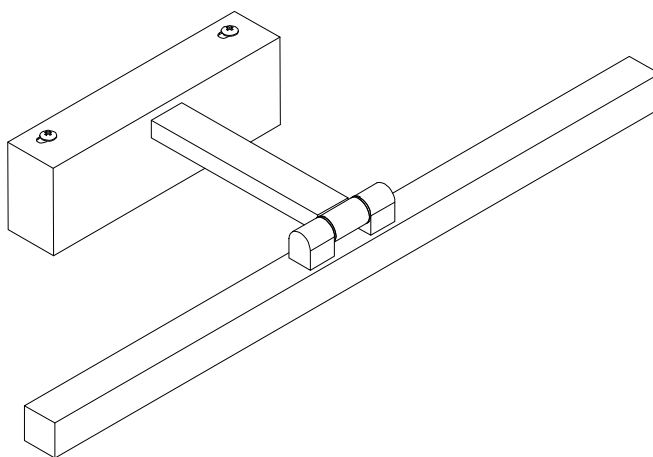
A



B



C



D